

Air curtain PL2200C



Air curtain PL2200C

PL2200C creates a temperature dividing air barrier that effectively prevents cold draughts and gives excellent heating comfort inside the door.

Air curtains save energy. The air barrier reduces energy losses through the door opening and the energy consumption of the air curtain is also low.

PL2200C has an integrated control system and can be remotely controlled. It has a modern and stylish design developed to fit all entrances.

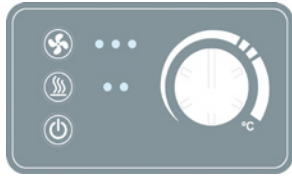
Product facts

- Installation height up to 2,2 metres.
- Remote control and integrated regulation.
- The front is easy to remove, which facilitates installation and allows easy maintenance.
- Corrosion proof housing made of hot zinc-plate and powder enamelled steel panels. Colour front and ends: RAL 9016, NCS S 0500-N (white). Colour grille and rear section: RAL 7046 (grey).

Controls

⚡ Unit with electrical heating

💧 Unit with water heating



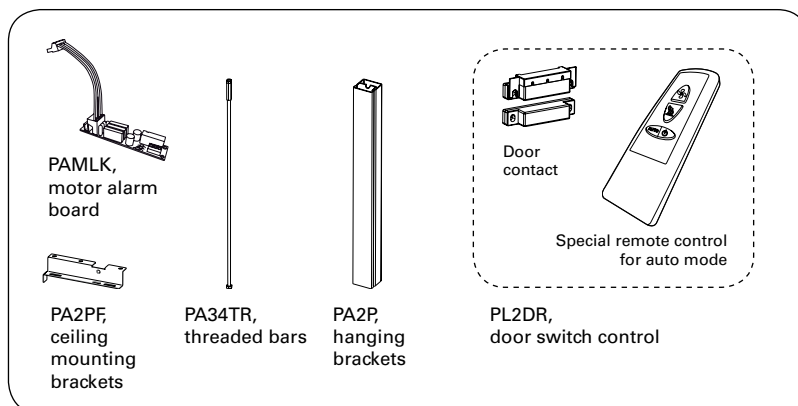
- Remote control.
- Integrated control panel on end of unit
 - 3 fan steps, 2 electrical heating steps (electrical), heating on /off (water).
- Manual regulation of the fan.
- Automatic heating control.

✪ Unit without heating

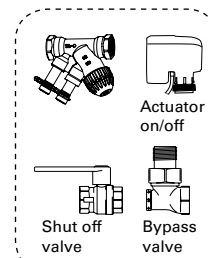


- Remote control.
- Integrated control panel on end of unit
 - 3 fan steps.
- Manual regulation of the fan.

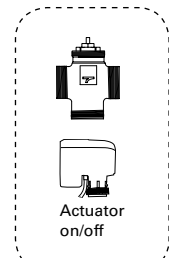
Accessories



Water control

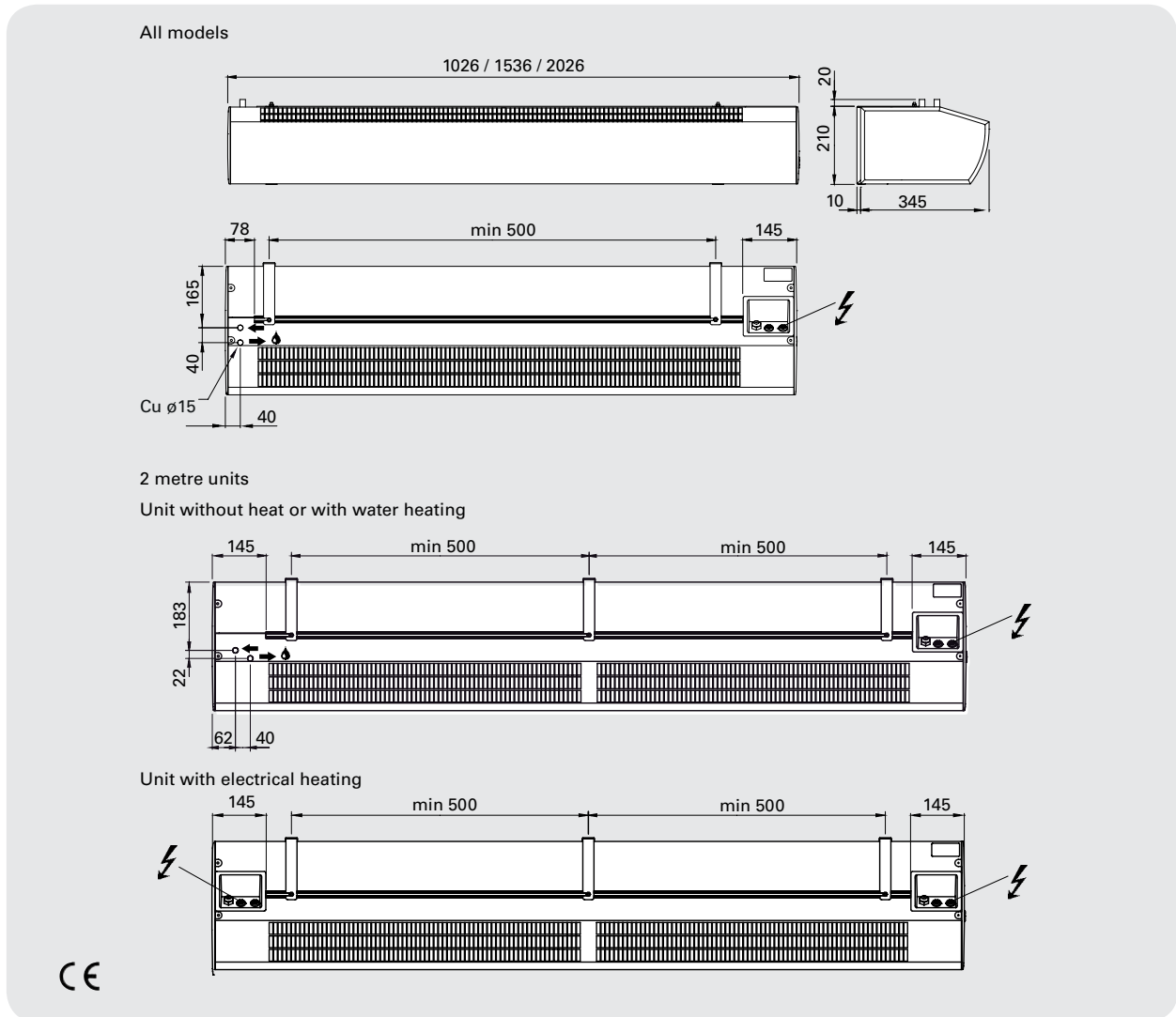


VOS, valve kit on/off



VOT, three way control valve and actuator on/off

Air curtain PL2200C



PL2200C A ambient, no heat, IP21

Type	Output [kW]	Airflow* ¹ [m ³ /h]	Sound level* ² [dB(A)]	Voltage motor [V]	Amperage motor [A]	Length [mm]	Weight [kg]
PL2210CA	0	900/1200	42/51	230V~	0,45	1026	16
PL2215CA	0	1150/1800	40/52	230V~	0,5	1536	24
PL2220CA	0	1800/2400	43/53	230V~	0,9	2026	32

PL2200C E with electrical heat, IP20

Type	Output steps [kW]	Airflow* ¹ [m ³ /h]	Δt * ³ [°C]	Sound level* ² [dB(A)]	Voltage motor [V]	Amperage motor [A]	Voltage [V] Amperage [A] (heat)	Length [mm]	Weight [kg]
PL2210CE05	3,3/5	900/1200	17/12,5	42/51	230V~	0,45	400V3~/7,2	1026	17
PL2215CE08	4/8	1150/1800	21/13	40/52	230V~	0,5	400V3~/11,5	1536	26
PL2220CE10	5/10	1800/2400	17/12,5	43/53	230V~	0,9	400V3~/14,4	2026	34

PL2200C W with water heat, IP21

Type	Output* ⁴ [kW]	Airflow* ¹ [m ³ /h]	Δt * ^{3,4} [°C]	Water volume [l]	Sound level* ² [dB(A)]	Voltage motor [V]	Amperage motor [A]	Length [mm]	Weight [kg]
PL2210CW	6,9	700/1200	21/17	0,38	39/52	230V~	0,4	1026	17
PL2215CW	11,1	1000/1750	23/18	0,81	37/53	230V~	0,5	1536	26
PL2220CW	14,4	1400/2400	22/18	0,74	40/53	230V~	0,8	2026	35

*¹) Lowest/highest airflow of totally 3 fan steps.

*²) Conditions: Distance to the unit 5 metres. Directional factor: 2. Equivalent absorption area: 200 m². At lowest/highest airflow.

*³) Δt = temperature rise of passing air at maximum heat output and lowest/highest airflow.

*⁴) Applicable at water temperature 80/60 °C, air temperature, in +18 °C.